

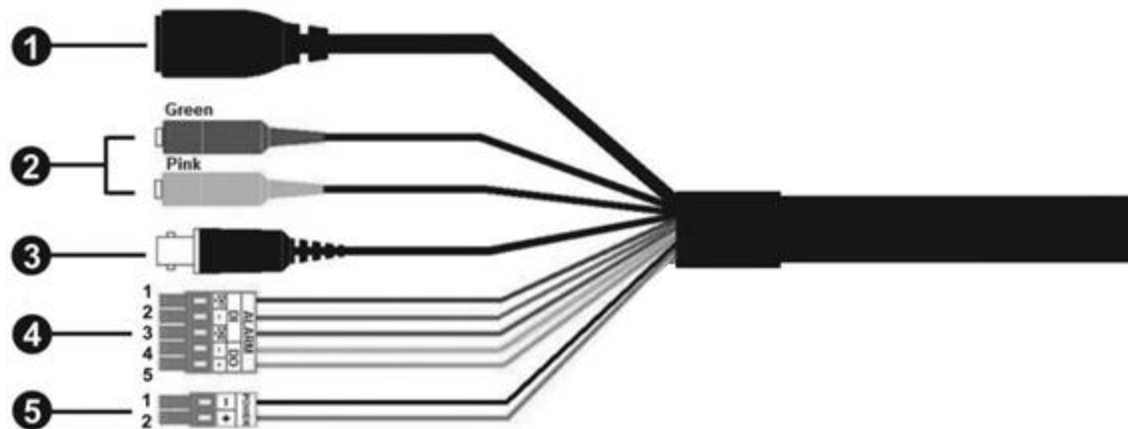
U2-K H.265 DNN Rugged Bullet IP Camera Quick Guide

This guide is for quick installing and connecting the U2-K H.265 DNN Rugged Bullet IP Camera. For more details, please refer to the User's Manual.

Installation Notices

- This camera must be installed by qualified personnel and the installation should conform to all local codes.
- Do not replace batteries of the camera. Risk of explosion may occur if the battery is replaced by an incorrect type.
- To use an external power supply, please contact the camera manufacturer to confirm that the power supply complies with the LPS requirements and shares the same power specifications with the camera.

All-in-One Cable

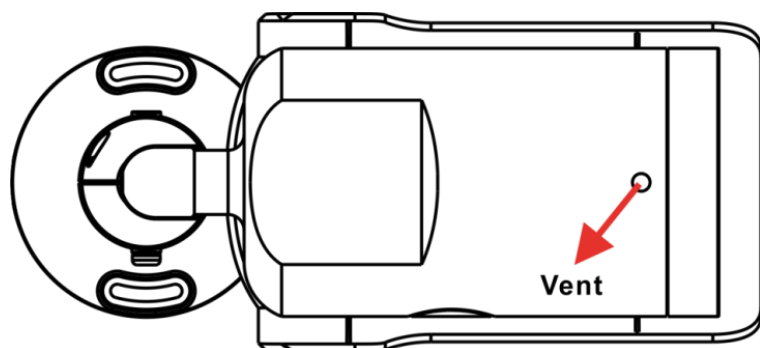


No	Cable	Pin	Definition	Remarks
1	RJ-45	-	For network and PoE connections	
2	Audio I/O	Green	Audio Out / Mic Out	Two-way audio transmission
		Pink	Audio In / Mic In	
3	BNC*	-	For analog video output	
4	Alarm I/O (5-pin Terminal Block)	1	Alarm In 2+	Alarm connection
		2	Alarm In -	
		3	Alarm In 1+	
		4	Alarm Out -	#Do NOT connect external power supply to the alarm I/O connector.
		5	Alarm Out +	
5	Power (DC 12V / AC 24V) (2-pin Terminal Block)	1	DC 12V - AC 24V 1	Power connection
		2	DC 12V + AC 24V 2	

(*) optional

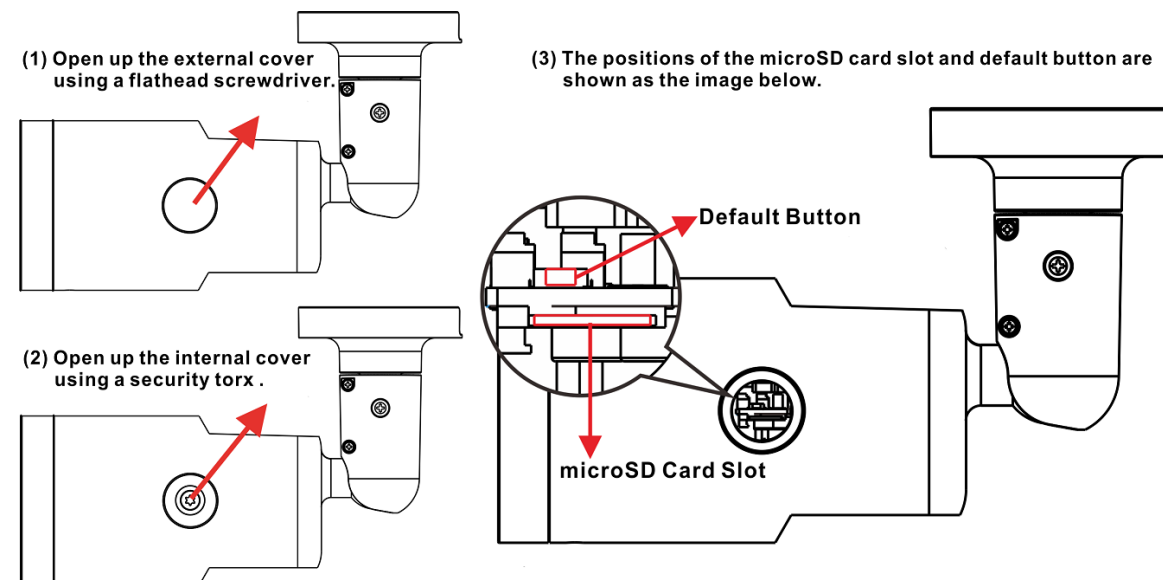
Desiccants Removal

Before installation, remove the desiccants on the vent at the bottom of the camera body. The location of the desiccants is shown below.



microSD Card Slot / Default Button

The positions of microSD card slot and default button are shown as below.



microSD Card Slot

Insert the microSD card into the card slot to store videos and snapshots. Do not remove the microSD card when the camera is powered on.



NOTE: It is not recommended to record with the microSD card for 24/7 continuously, as it may not be able to support long term continuous data read/write. Please contact the manufacturer of the microSD card for information regarding the reliability and the life expectancy.

Default Button

Press the default button with a proper tool for at least 20 seconds to restore the system.

Camera Cabling

Please follow the instructions below for cable connections.

Power Connection

Please use a DC 12V / AC 24V adaptor and connect it to the 2-pin terminal block of the All-in-One cable and the power outlet. Alternatively, connect the Ethernet cable to the RJ-45 connector of the All-in-One cable, and plug the other end of the cable to a Power Sourcing Equipment (PSE) switch.

Ethernet Cable Connection

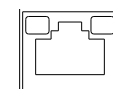
Connect one end of the Ethernet cable to the RJ-45 connector of the All-in-One cable, and plug the other end of the cable to the network switch or PC.



NOTE: In some cases, Ethernet crossover cable might be needed when connecting the camera directly to the PC.



NOTE: Check the status of the link indicator and the activity indicator LEDs. If the LEDs are unlit, please check the LAN connection.



Green Link LED indicates good network connection.
Orange Activity LED flashes for network activity indication.



NOTE: The ITE is to be connected only to PoE networks without routing to the outside plant or equivalent description.

Before Login to the Camera

A client program will be automatically installed to the PC when connecting to the camera. Before logging in to the camera, please ensure downloading the ActiveX control is allowed by either changing the ActiveX controls and plug-ins or setting Internet's security level to default. For further details, please refer to the User's Manual.

ActiveX Controls and Plug-ins Settings	Internet Security Level
Step 1: Start the Internet Explorer (IE). Step 2: Select <Tools> from the main menu of the browser. Then click <Internet Options>. Step 3: Click the <Security> tab and select <Internet>, and click <Custom level> to change ActiveX settings. Step 4: Set "ActiveX controls and plug-ins" items to <Prompt> or <Enable>.	Step 1: Start the Internet Explorer (IE). Step 2: Select <Tools> from the main menu of the browser. Then click <Internet Options>. Step 3: Click the <Security> tab and select <Internet>. Step 4: Down the page, click "Default Level" and click <OK> to confirm the setting. Close the browser window, and open a new one later for accessing the IP camera.

Camera Login

The default IP address of the camera is: **192.168.0.250**. Therefore, to access the camera for the first time, please set the IP address of the PC as: 192.168.0.XXX; for example:

IP Address: 192.168.0.100

Subnet Mask: 255.255.255.0

Login ID and Password

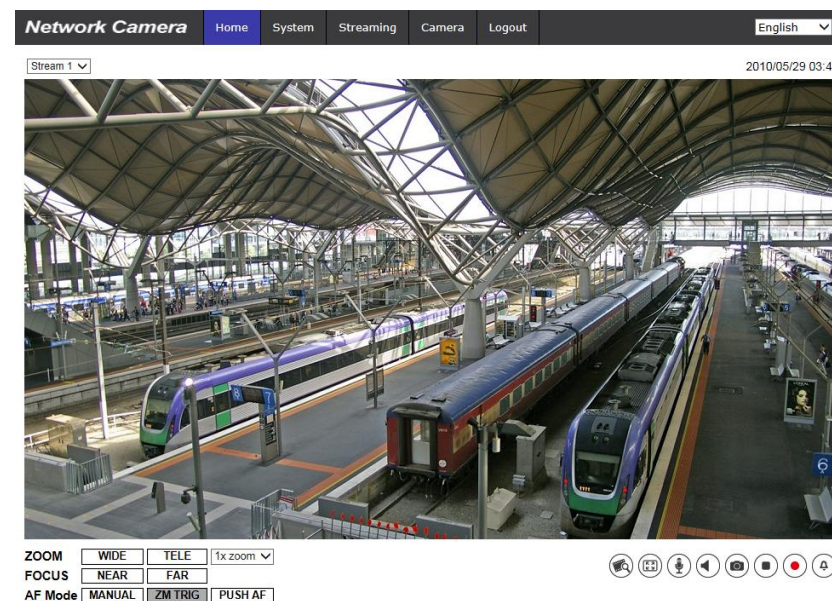
- Type in corresponding camera IP address into the URL field on the web browser and hit "Enter".
- Enter the default username (**Admin**) and password (**1234**) in the pop-up window. Note that username is case sensitive.

Install the ActiveX Control

- After connecting to the camera, the request for installing the ActiveX control will appear just below the URL bar.
- Right click on the information bar, and then click on <Install ActiveX Control...> to permit ActiveX control installation.
- In the pop-up security warning window, click on <Install> to start downloading DCViewer software on the PC.
- Click on <Finish> after DCViewer installation is completed.

Browser-based Viewer

The main page of the IP camera user interface is shown as the figure below. Please note that function buttons will vary depending on the camera model.



U2-K H.265 DNN Rugged Bullet IP Camera Quick Guide

Ver. 1.1