

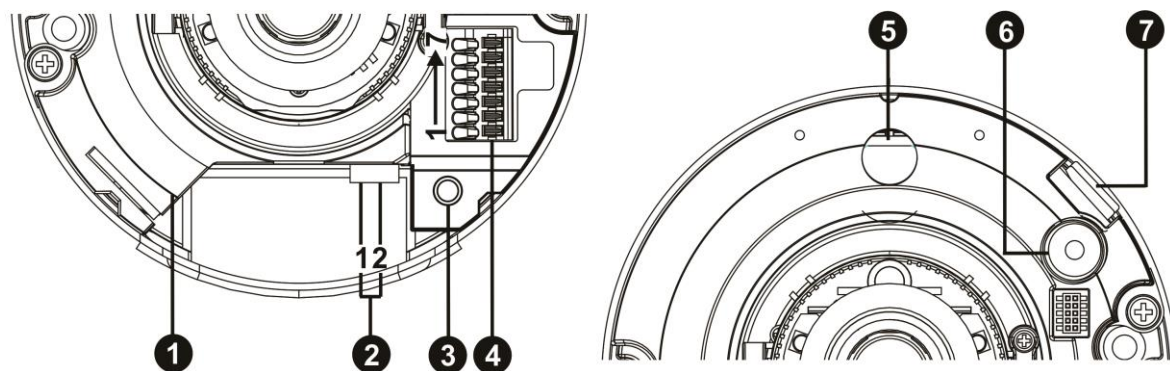
N-L H.265 Flex DNN IR Micro Dome IP Camera Quick Guide

This guide is for quick installing and connecting the N-L H.265 Flex DNN IR Micro Dome IP Camera. For more details, please refer to the User's Manual.

Installation Notices

- This camera must be installed by qualified personnel and the installation should conform to all local codes.
- Do not replace batteries of the camera. Risk of explosion may occur if the battery is replaced by an incorrect type.
- Leaving a camera in an extremely high temperature surrounding environment can result in an explosion or the leakage of flammable liquid or gas.
- Camera subjected to extremely low air pressure may result in an explosion or the leakage of flammable liquid or gas.
- To use an external power supply, please contact the camera manufacturer to confirm that the power supply complies with the LPS requirements and shares the same power specifications with the camera.
- The means of power cord of adapter should be connected to a socket-outlet with earthing connection.

Camera's Connectors (Indoor Only)



No.	Connector	Pin	Definition	Remarks
1	RJ-45	-	Network and PoE connections	
2	Power (DC 12V)	1	DC 12V	Power connection
		2	GND	
3	Default Button	-	Press the button with a proper tool for at least 20 seconds to restore the system.	
4	Alarm & Audio I/O	1	Alarm Out +	Alarm connection
		2	Alarm Out -	
		3	Alarm In +	#Do NOT connect external power supply to the alarm I/O connector of the IP camera.
		4	Alarm In -	
		5	GND	
6	Audio Out (Line Out)	Two-way audio transmission		
7	Audio In (Line In)			
5	Built-in Speaker	-	Audio Out	
6	Built-in Microphone	-	Audio In	
7	microSD Card Slot	-	Insert the microSD card into the card slot to store videos and snapshots. Do not remove the microSD card when the camera is powered on.	

NOTE: To avoid audio quality degradation, do **NOT** connect built-in microphone and external audio-input device (via Line In) at the same time. So does the audio-output connection.

NOTE: It is not recommended to record with the microSD card for 24/7 continuously, as it may not be able to support long term continuous data read/write. Please contact the manufacturer of the microSD card for information regarding the reliability and the life expectancy.

Camera Cabling

Please follow the instructions below for cable connections.

Power Connection

Use a DC 12V power adaptor and plug it to the camera and the power outlet. Alternatively, users can use an Ethernet cable and connect it to the RJ-45 connector of the camera and a Power Sourcing Equipment (PSE) switch.

NOTE: If PoE is used, make sure PSE is in use in the network.

Ethernet Cable Connection

Connect one end of the Ethernet cable to the RJ-45 connector of the camera, and plug the other end of the cable to the network switch or PC.

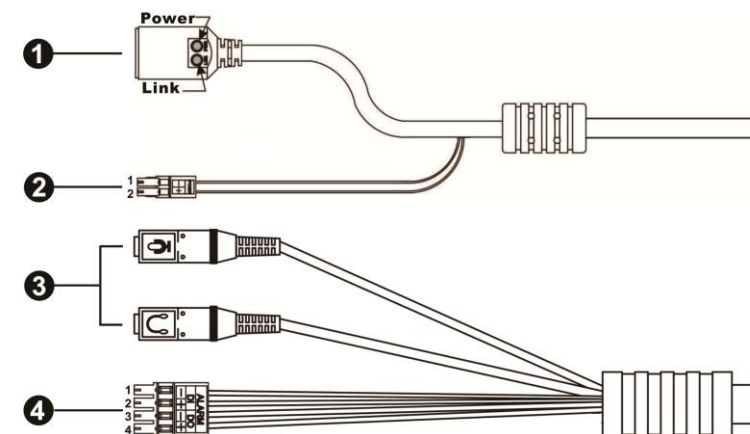
NOTE: In some cases, Ethernet crossover cable might be needed when connecting the camera directly to the PC.

NOTE: Check the status of the link indicator and the activity indicator LEDs. If either LED is unlit, please check the corresponding connection.

Green Power LED lights up when the camera is powered up.
Orange Network LED (1) flashes when data is being transmitted over network, (2) lights up for good network connection.

NOTE: The ITE is to be connected only to PoE networks without routing to the outside plant or equivalent description.

Function Cables (Outdoor Only)



No.	Connector	Pin	Definition	Remarks
1	RJ-45	-	Network and PoE connections	
2	Power Jack (DC 12V)	1	DC 12V	Power connection
		2	GND	
3	Audio I/O	Pink	Audio In (Line In)	Two-way audio transmission
		Green	Audio Out (Line Out)	
4	Alarm I/O (4-Pin Terminal Block)	1	Alarm In -	Alarm connection
		2	Alarm In +	
		3	Alarm Out -	
		4	Alarm Out +	
-	Default Button	-	Please refer to Default Button in the table under Camera's Connectors (Indoor Only) .	
-	microSD Card Slot	-	Please refer to microSD Card Slot in the table under Camera's Connectors (Indoor Only) .	

Before Login to the Camera

A client program will be automatically installed to the PC when connecting to the camera. Before logging in to the camera, ensure downloading the ActiveX control is allowed by either changing the ActiveX controls and plug-ins or setting Internet's security level to default. For further details, please refer to the User's Manual.

ActiveX Controls and Plug-ins Settings	Internet Security Level
Step 1: Start the Internet Explorer (IE). Step 2: Select <Tools> from the main menu of the browser. Then click on <Internet Options>. Step 3: Click on the <Security> tab and select <Internet>, and click on <Custom level> to change ActiveX settings. Step 4: Set "ActiveX controls and plug-ins" items to <Prompt> or <Enable>.	Step 1: Start the Internet Explorer (IE). Step 2: Select <Tools> from the main menu of the browser. Then click on <Internet Options>. Step 3: Click on the <Security> tab and select <Internet>. Step 4: Down the page, click <Default Level> and click on <OK> to confirm the setting. Close the browser window, and open a new one later for accessing the IP camera.

Camera Login

The default IP address of the camera is: **192.168.0.250**. Therefore, to access the camera for the first time, please set the IP address of the PC as: 192.168.0.XXX; for example:

IP Address: 192.168.0.100

Subnet Mask: 255.255.255.0

Login ID and Password

- Key in the camera's IP address in the URL bar of the web browser window and hit on "Enter".
- Enter the default username (**Admin**) and password (**1234**) in the prompt request dialogue. Note that username is case sensitive.

Install the ActiveX Control

- After connecting to the camera, the request for installing the ActiveX control will appear just below the URL bar.
- Right click on the information bar, and then click on <Install ActiveX Control...> to permit ActiveX control installation.
- In the pop-up security warning window, click on <Install> to start downloading DCViewer software on the PC.
- Click on <Finish> after DCViewer installation is completed.

Browser-based Viewer

The main page of the IP camera user interface is shown as the figure below. Please note that function buttons will vary depending on the camera model.



N-L H.265 Flex DNN IR Micro Dome IP Camera Quick Guide

Ver. 1.2